

Product Illustrations

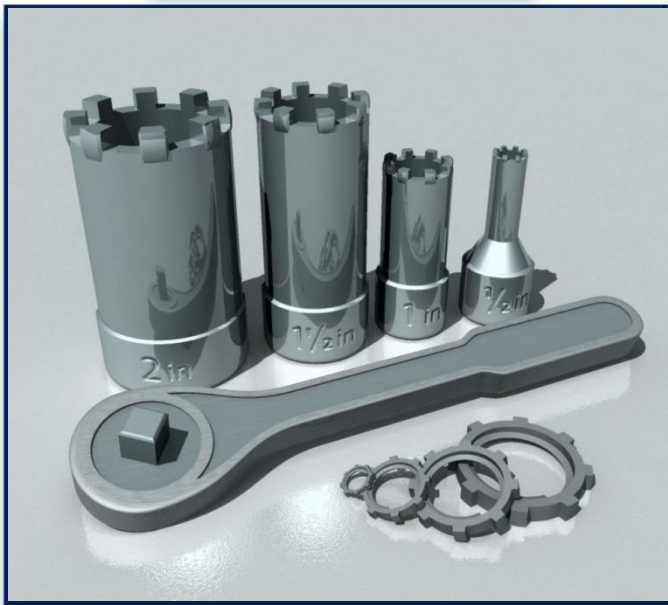
DOCUMENT VERSION: Original

INVENTORS' NAMES: Example 2

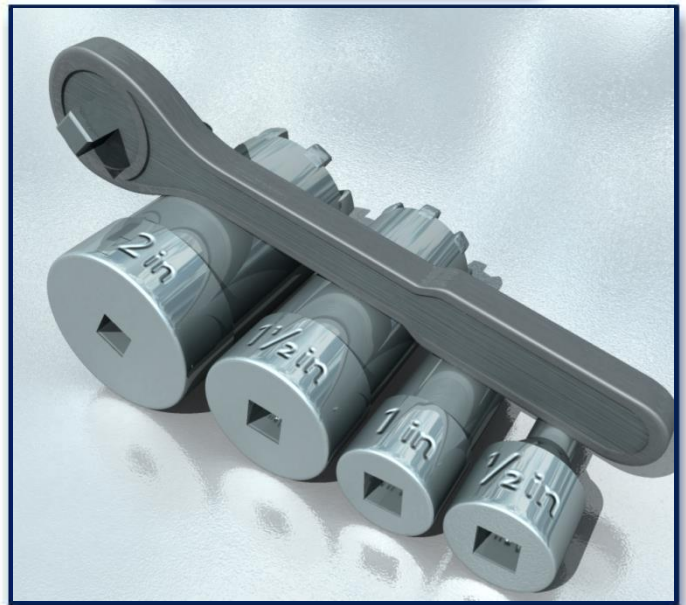
INVENTION NAME: The "Lock Nut Socket Set"

INVENTION FUNCTION: The "Lock Nut Socket Set" allows lock nuts of ring format to be mechanically accessed in a faster, easier and safer format.

View 1



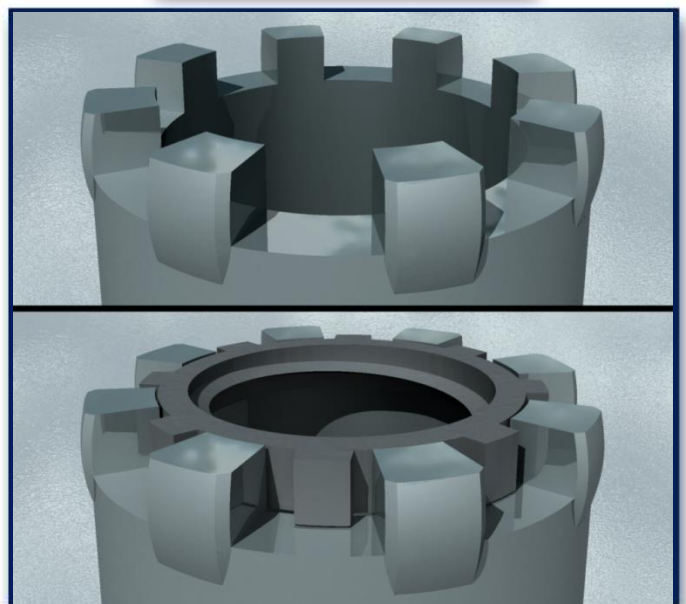
View 2



View 3



View 4



Product Illustrations

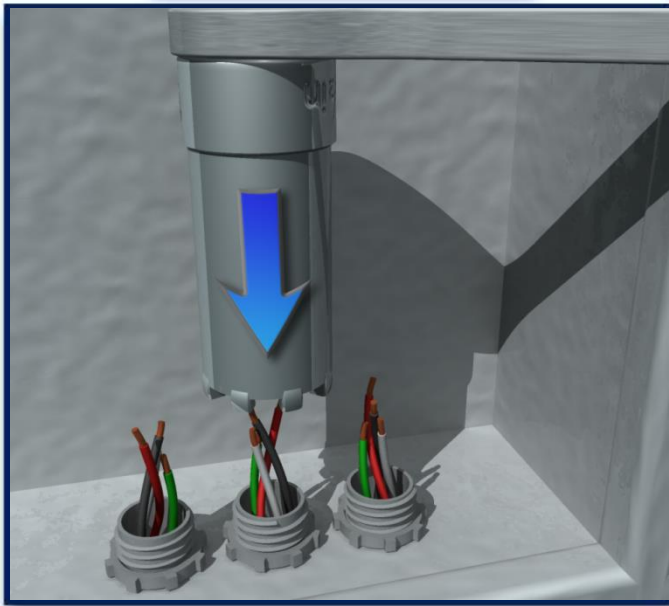
DOCUMENT VERSION: Original

INVENTORS' NAMES: Example 2

INVENTION NAME: The "Lock Nut Socket Set"

INVENTION FUNCTION: The "Lock Nut Socket Set" allows lock nuts of ring format to be mechanically accessed in a faster, easier and safer format.

View 5



View 6

